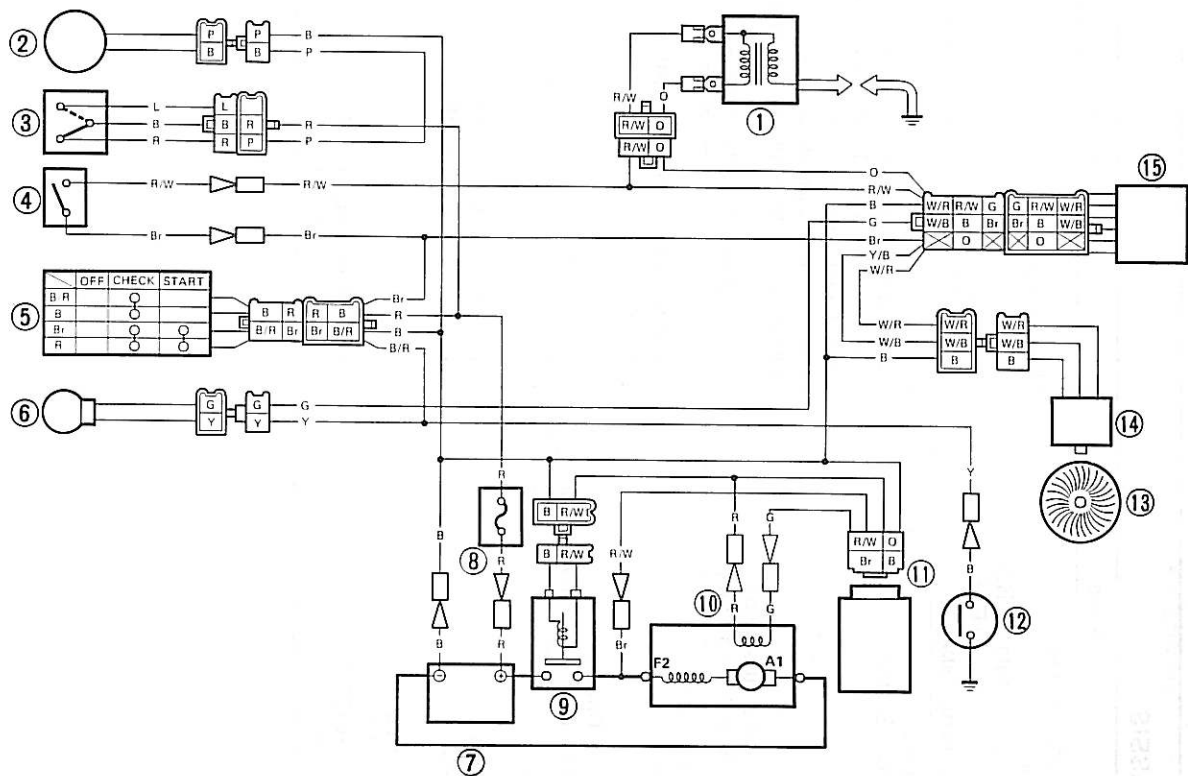


WIRING DIAGRAM FOR G8-A



- ① Ignition coil
- ② Buzzer
- ③ Back switch
- ④ Accelerator switch
- ⑤ Main switch
- ⑥ PILOT LAMP (12V, 3.4W)
- ⑦ Battery
- ⑧ Fuse (10A)
- ⑨ Relay
- ⑩ Starter generator
- ⑪ Voltage regulator
- ⑫ Oil level gauge
- ⑬ Rotor
- ⑭ Pick up
- ⑮ Ignitor

COLOR CODE

- B Black
- Y Yellow
- G Green
- R Red
- P Pink
- O Orange
- Br Brown
- B/R Black/Red
- R/W Red/White