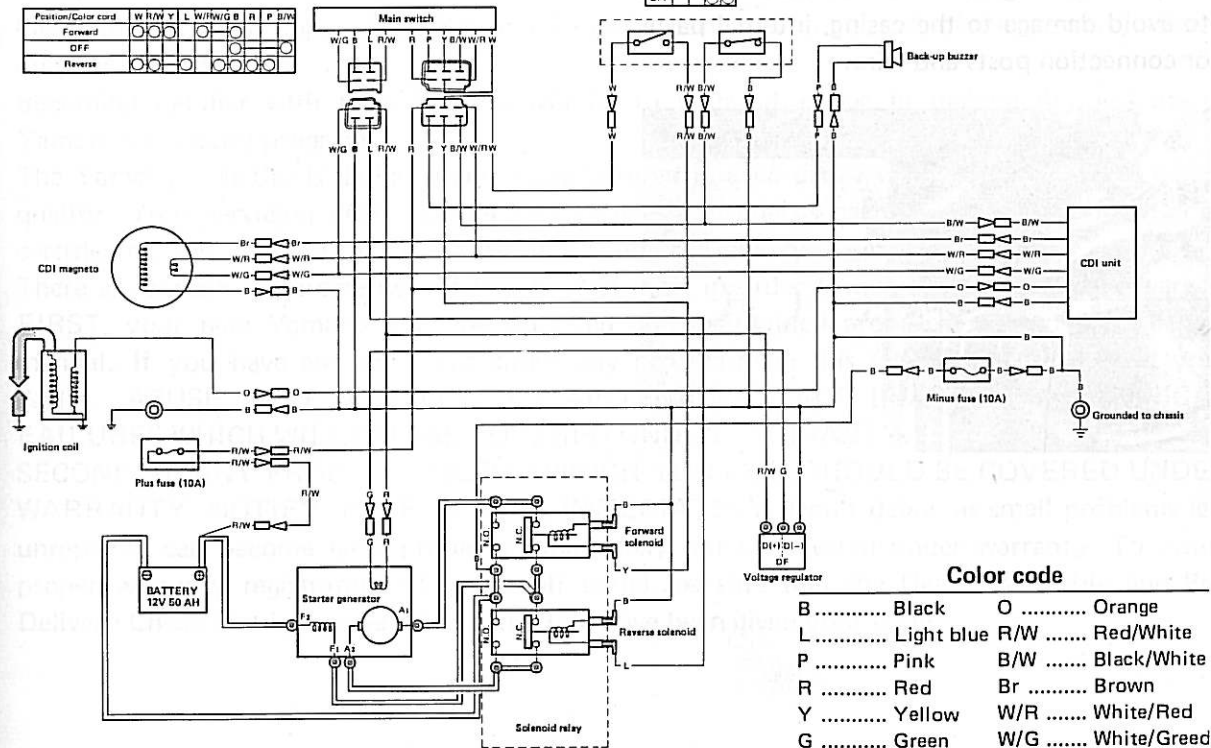


18. CIRCUIT DIAGRAM

YAMAHA G1A3

Position/Color cord	W	R/W	Y	L	W/R/W	G	B	R	P	B/W
Forward	○	○		○						○
OFF	○									○
Reverse	○									○

Stop switch	W	R	B/W	B
ON	○	○		
OFF	○			○



Color code

B	Black	O	Orange
L	Light blue	R/W	Red/White
P	Pink	B/W	Black/White
R	Red	Br	Brown
Y	Yellow	W/R	White/Red
G	Green	W/G	White/Green